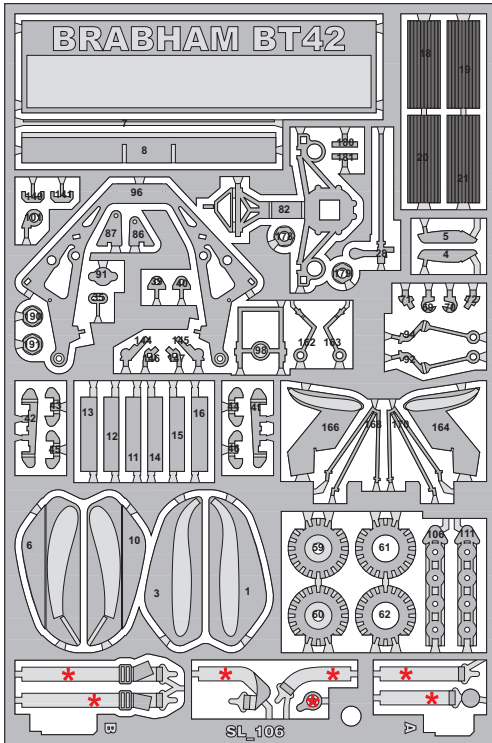


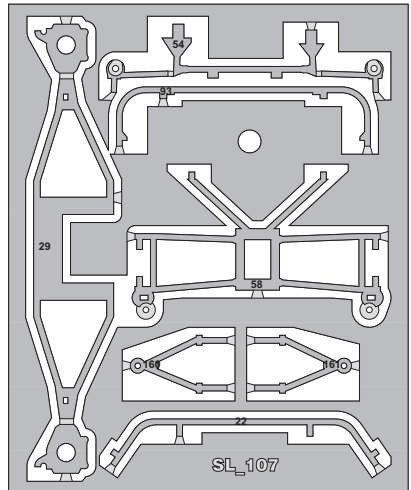
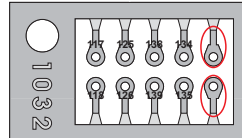
SLK087
BRABHAM FORD BT42
G.P. GERMANIA 1973
R. Stommelen - C. Reutemann - W. Fittipaldi

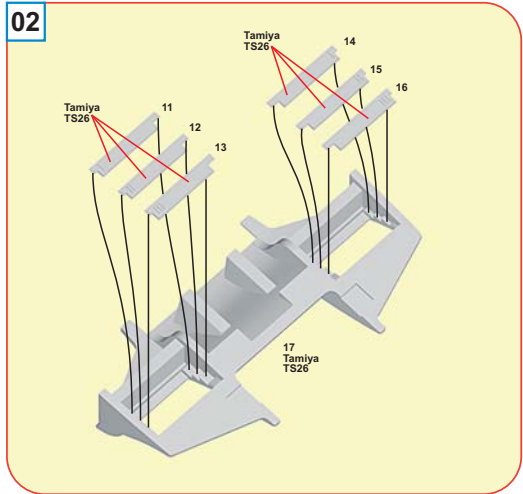
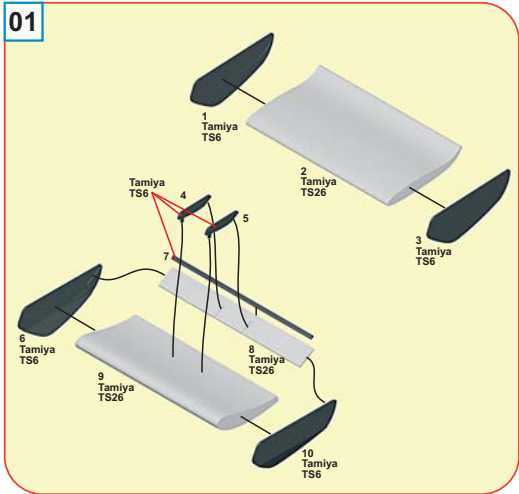
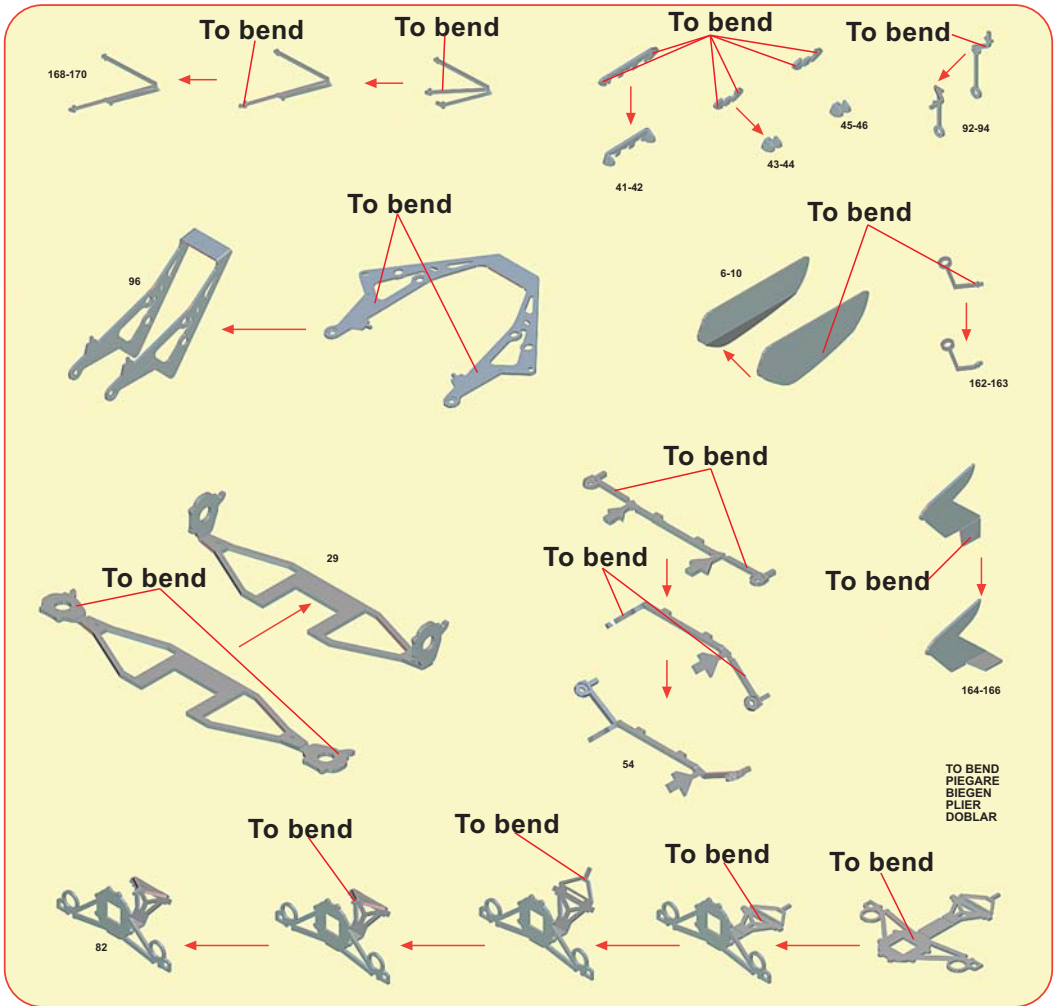
- I** Made in Italy, Modello per collezionisti in scala 1/43. Vietata la vendita ai minori di 14 anni. Nocivo per ingestione. Conservare fuori dalla portata dei bambini. Tameo Kits declina ogni responsabilità per un uso improprio del prodotto.
- GB** Made in Italy, Collector 1/43 Scale Models. Not for sale to persons under 14 years of age. Dangerous if swallowed. Keep out of reach of children. Tameo Kits not held responsible for any damage or injury resulting from improper use of the product.
- F** Made in Italy, Modèle pour collectionneurs échelle 1/43. Vente interdite aux enfants de moins de 14 ans. Dangereux si avalé. Conserver hors de la portée des enfants. Tameo Kits décline toute responsabilité dans le cas de dommages dérivants de l'usage non approprié du produit.
- D** Made in Italy, Sammlermodell im Massstab 1/43. Verkauf an Jugendliche unter 14 Jahren verboten. Schädlich bei Verschlucken. Tameo Kits lehnt jede Verantwortung bei unsachgemässer Benutzung des Produktes ab.
- E** Hecho en Italia. Coleccion de modelos a escala 1/43. Prohibida la venta a menores de 14 años.No comestible. Mantener fuera del alcanc e de los niños. Tameo Kits no se hace responsable de los daños causados por el uso incorrecto de este producto.

Web Site: www.tameokits.com E-mail: sales@tameokits.com E-mail: technical@tameokits.com

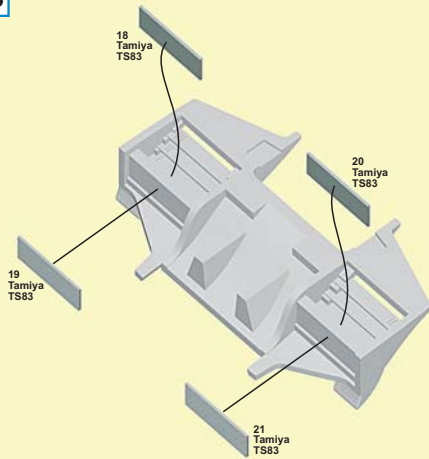


○ SPARE PARTS
PEZZI DI RICAMBIO
PIÈCES DE RECHANGE
ERSATZTEILE
PIEZAS DE REPUESTO

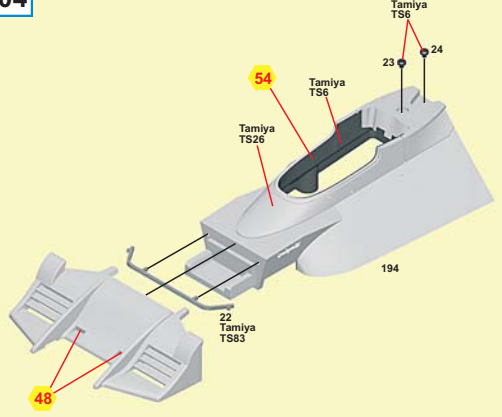




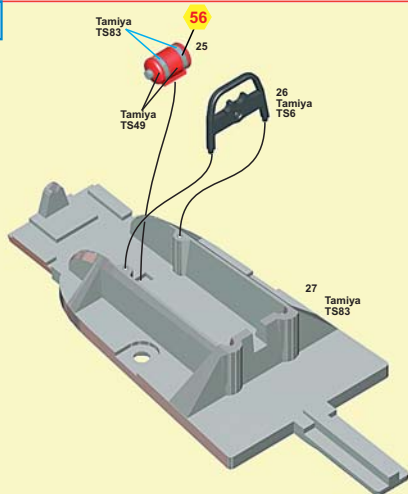
03



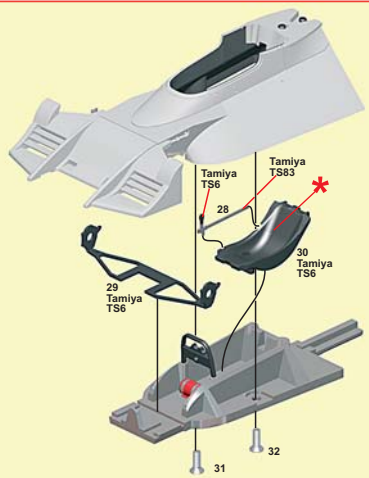
04



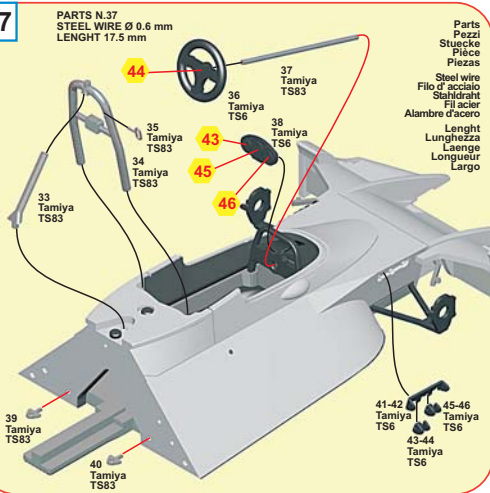
05



06



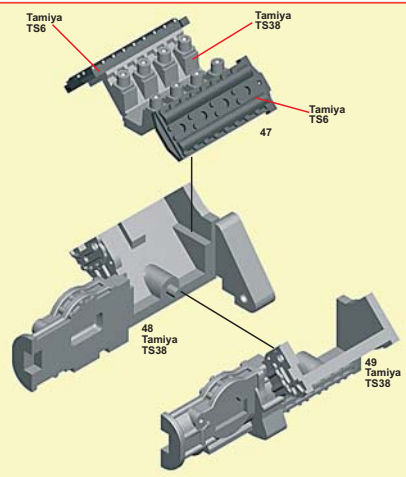
07



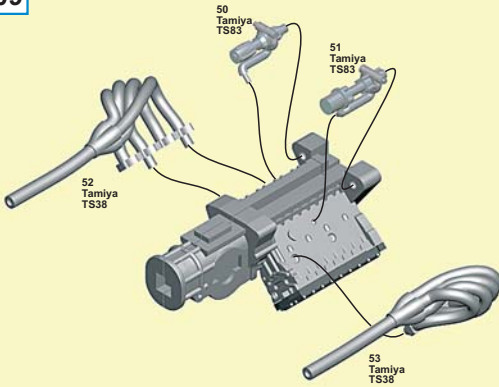
PARTS N.37
STEEL WIRE Ø 0,6 mm
LENGTH 17,5 mm

Parts
Pezzi
Stuecke
Pieças
Piezas
Steel wire
Filo d'acciaio
Stahdraht
Fil acier
Alambre d'acero
Lenght
Lunghhezza
L=erger
Longueur
Largo

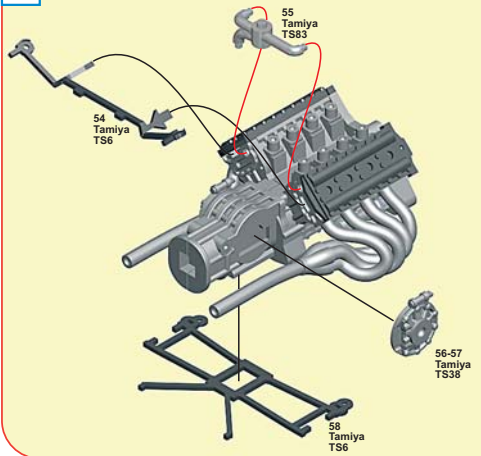
08



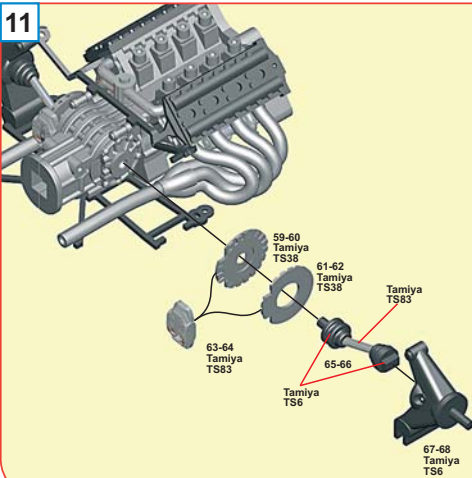
09



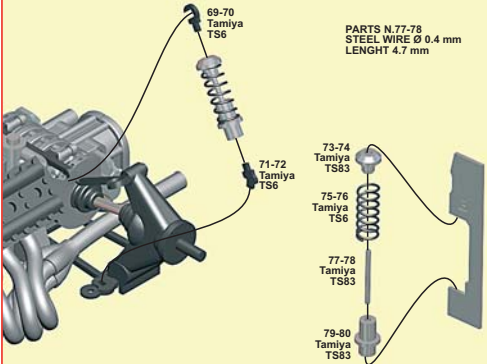
10



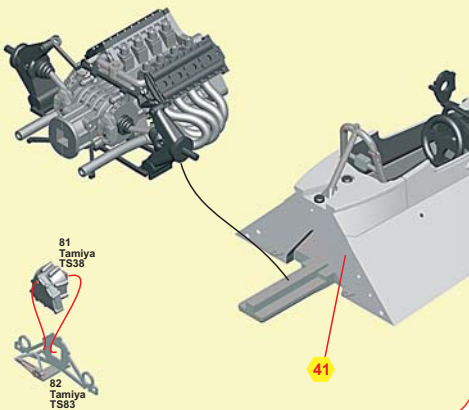
11



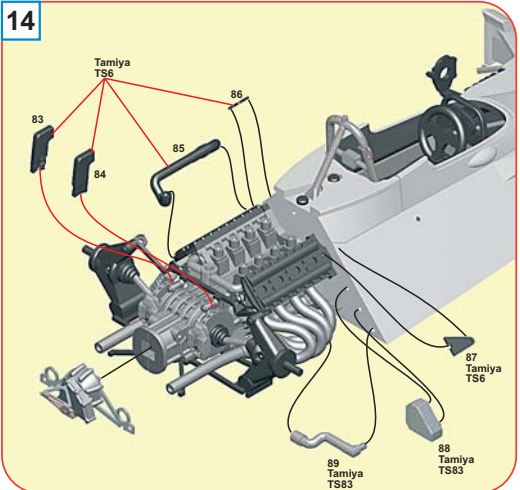
12

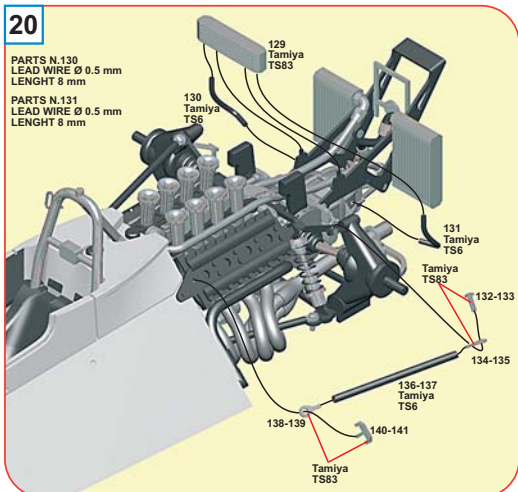
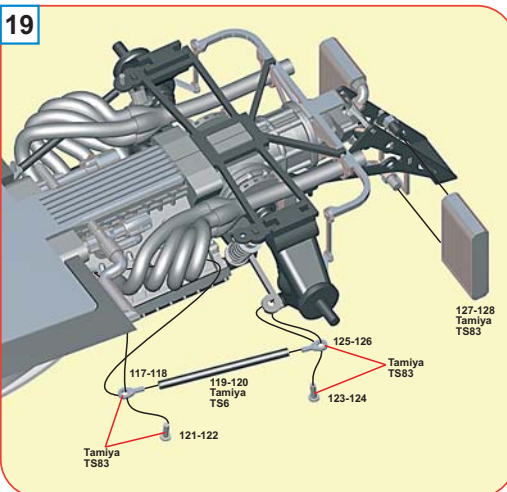
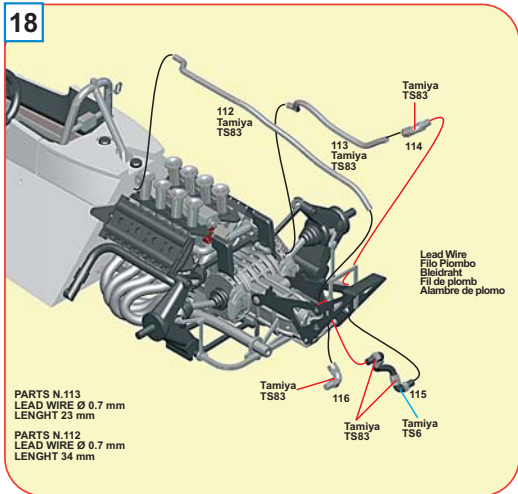
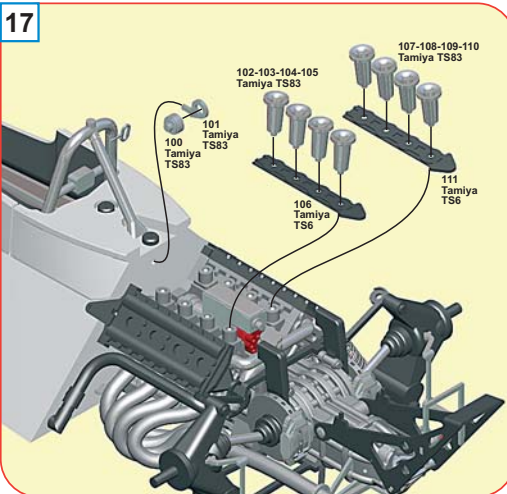
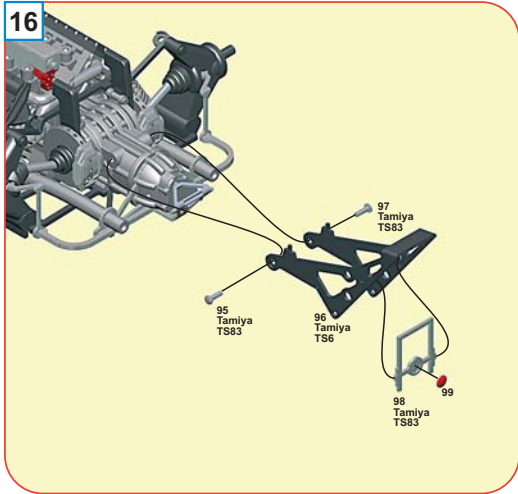
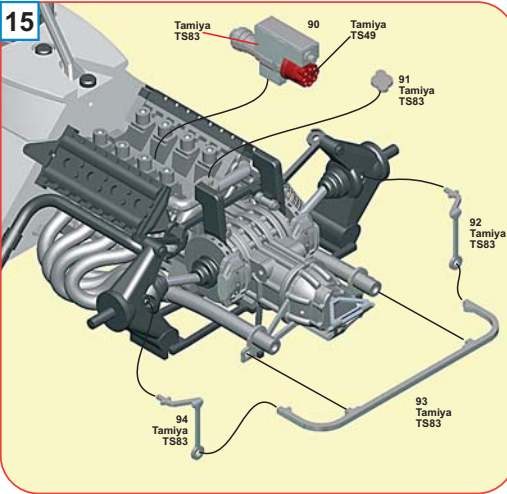


13

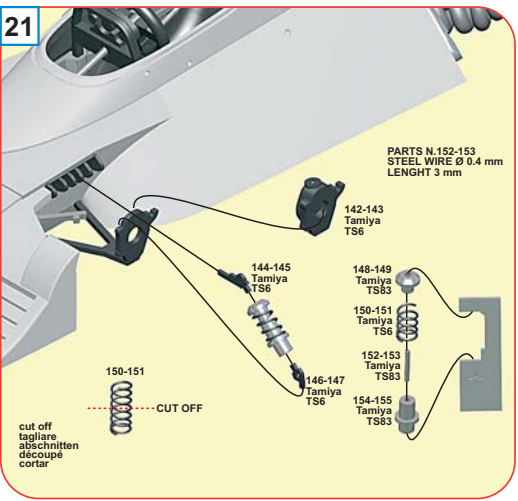


14

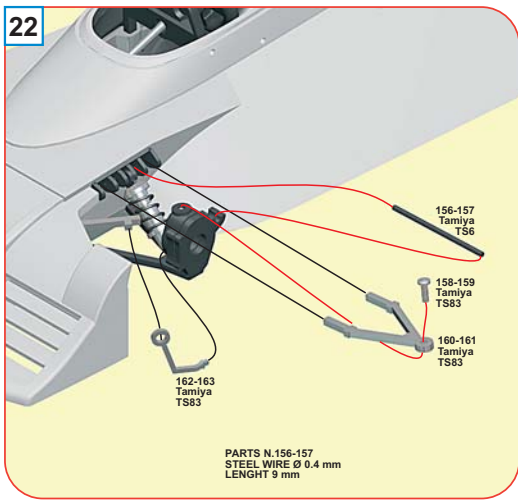




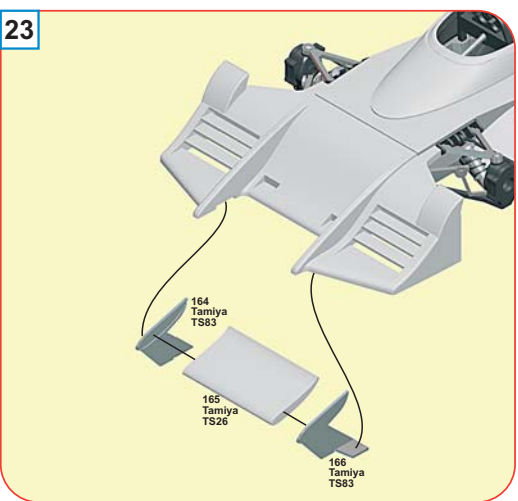
21

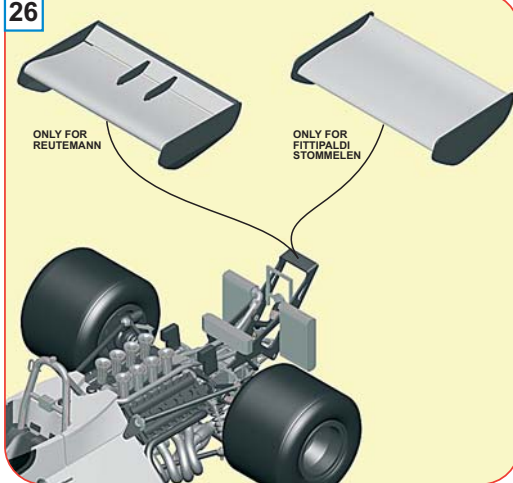
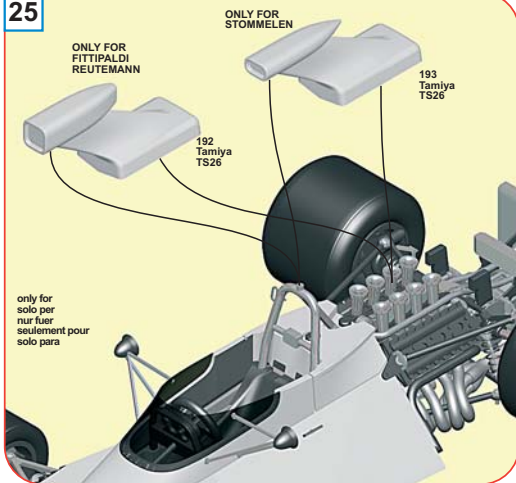
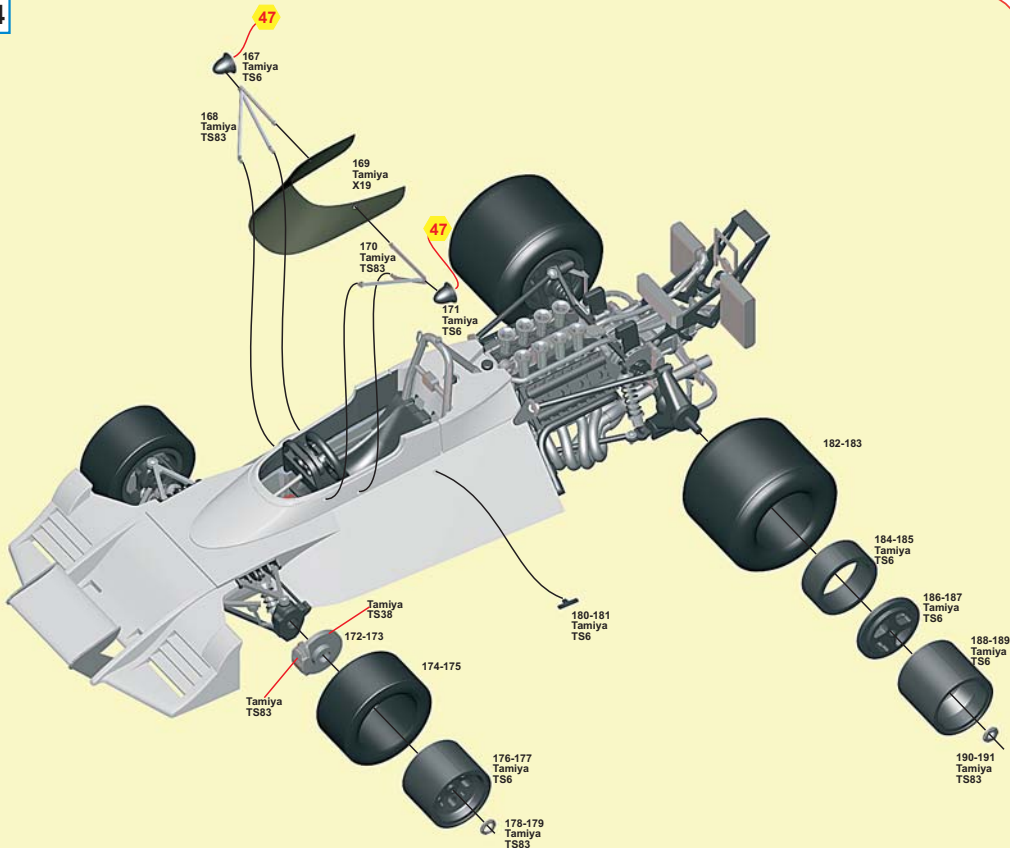


22



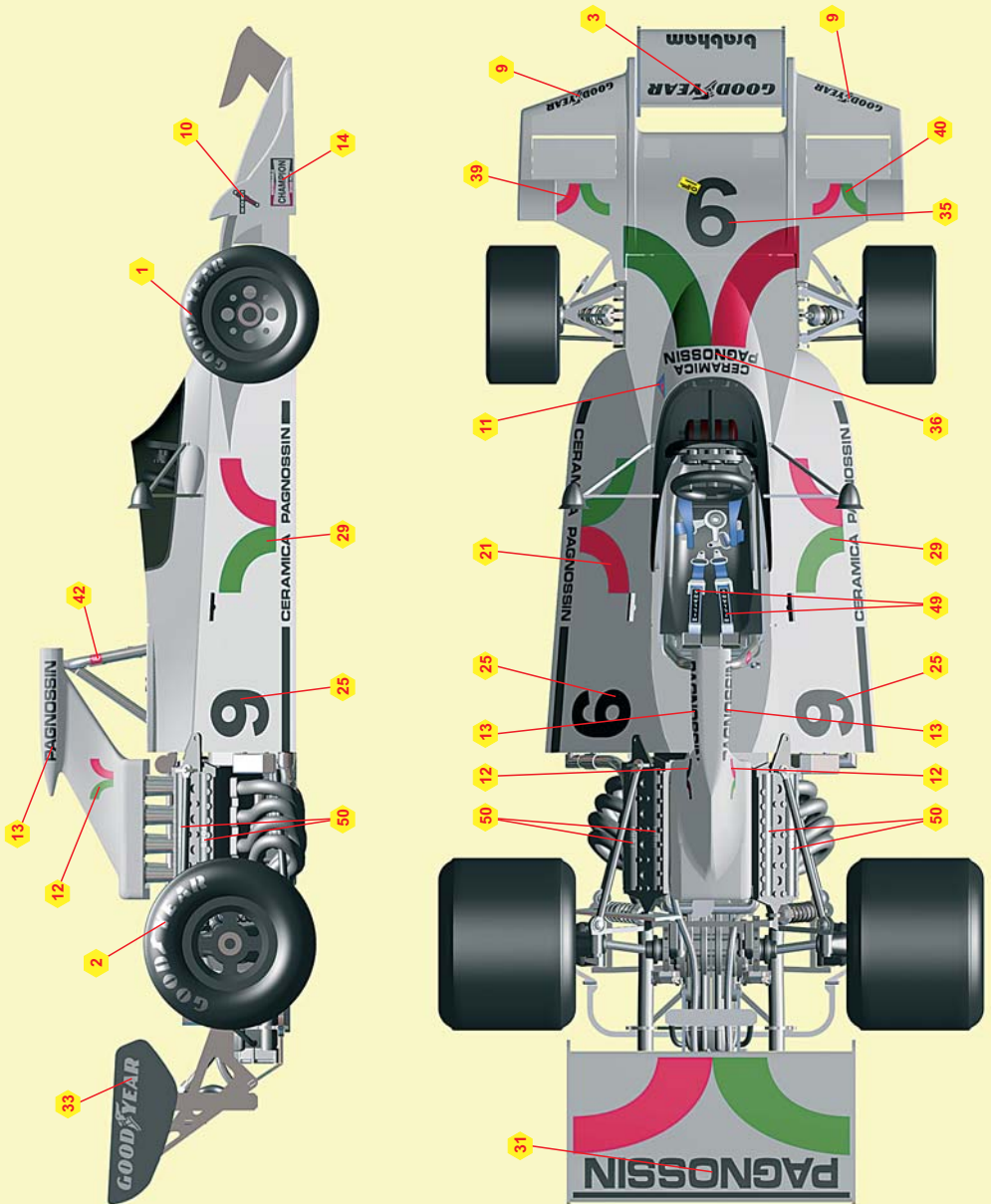
23





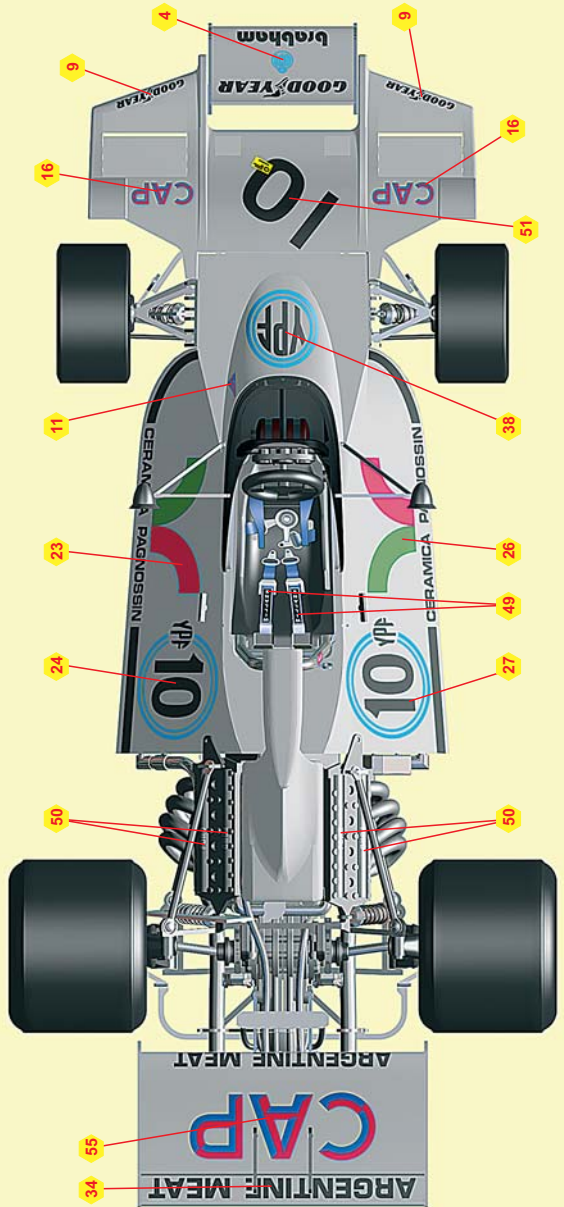
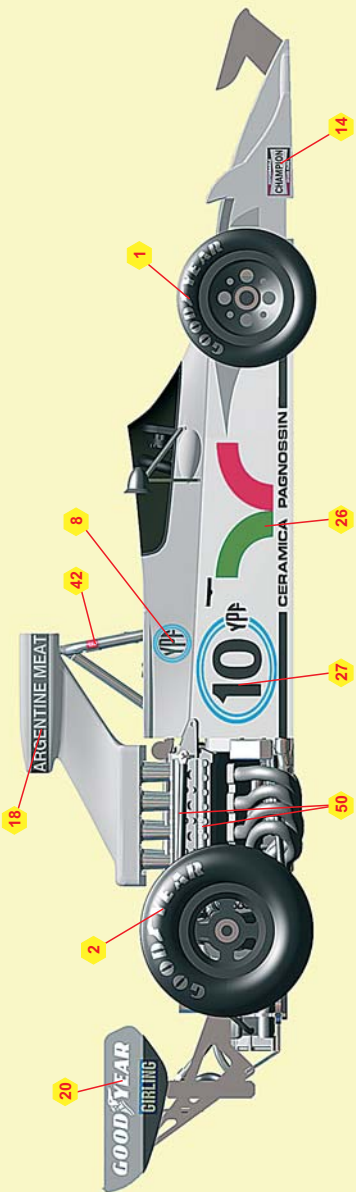
SLK087 BRABHAM FORD BT42 G.P. GERMANIA 1973

N. 9 - R. Stommelen - 11st



SLK087 BRABHAM FORD BT42 G.P. GERMANIA 1973

N. 10 - C. Reutemann - Ret



- 1. Front wheel
- 2. Front suspension
- 3. Front wing
- 4. Front fender
- 5. Sidepod
- 6. Cockpit
- 7. Rear suspension
- 8. Rear wing
- 9. Rear wheel
- 10. YPF logo
- 11. Sidepod
- 12. Front suspension
- 13. Front wing
- 14. Front fender
- 15. Sidepod
- 16. Cockpit
- 17. Rear suspension
- 18. Rear wing
- 19. Rear wheel
- 20. YPF logo
- 21. Sidepod
- 22. Front suspension
- 23. Front wing
- 24. Front fender
- 25. Sidepod
- 26. Cockpit
- 27. Rear suspension
- 28. Rear wing
- 29. Rear wheel
- 30. YPF logo
- 31. Sidepod
- 32. Front suspension
- 33. Front wing
- 34. Front fender
- 35. Sidepod
- 36. Cockpit
- 37. Rear suspension
- 38. Rear wing
- 39. Rear wheel
- 40. YPF logo
- 41. Sidepod
- 42. Front suspension
- 43. Front wing
- 44. Front fender
- 45. Sidepod
- 46. Cockpit
- 47. Rear suspension
- 48. Rear wing
- 49. Rear wheel
- 50. YPF logo
- 51. Sidepod
- 52. Front suspension
- 53. Front wing
- 54. Front fender
- 55. Sidepod
- 56. Cockpit
- 57. Rear suspension
- 58. Rear wing
- 59. Rear wheel

SLK087 BRABHAM FORD BT42 G.P. GERMANIA 1973

N. 11 - W. Fittlpaiddi - 5th

